

Description

This type is a cast iron ball float steam trap with horizontal connection.

It is available in two models:

- 552F - With a manually adjustable air venting needle valve
- 552FT - With integral automatic air venting facility



Limiting Conditions

| | |
|-------------------------------------|------------------------|
| Body Design Conditions | PN16 |
| PMO - Maximum Operating Pressure | 10 kgf/cm ² |
| TMO - Maximum Operating Temperature | 180 °C |
| PMA - Maximum Allowable Pressure | 16 kgf/cm ² |
| TMA - Maximum Allowable Temperature | 220 °C |
| Cold Hydraulic Test Pressure | 24 kgf/cm ² |

Operating Range

Δ PMX – Maximum differential pressure

| Model | Δ PMX |
|-------|------------------------|
| 552F | 10 kgf/cm ² |
| 552FT | 10 kgf/cm ² |

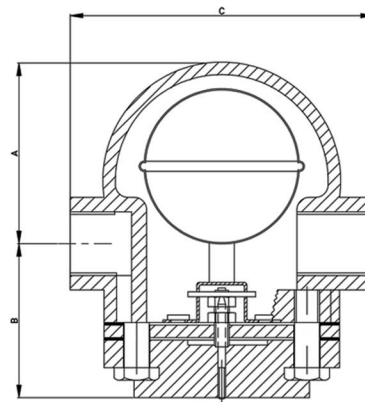
Sizes and Pipe Connections

½ " and ¾ " Screwed (ANSI B1.20.1) – Flanged (ANSI B16.5)

Dimensions / Weights (Approximate) mm and kg

| Size | A | B | C | Weight |
|------|----|----|-----|--------|
| ½ " | 75 | 65 | 120 | 2.5 |
| ¾ " | 75 | 65 | 120 | 2.5 |

Constructions are a bit different according the sizes.





E.S.E. Valve Co. Ltd.

021 66479486

0912 8448763

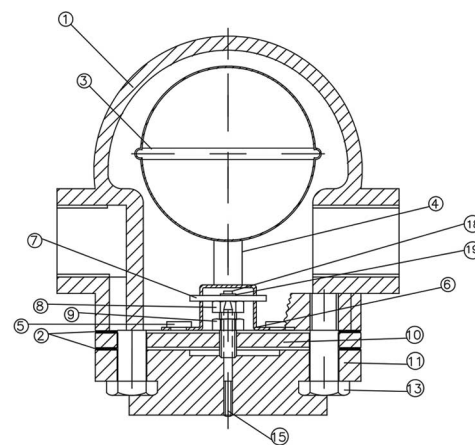
فروش

E.S.E. Valve Co.

Ball Float Steam Traps - 552

Materials

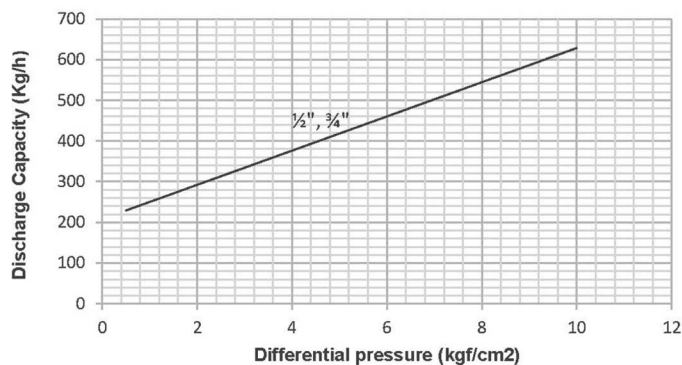
| No. | Part | Material |
|-----|-----------------|----------|
| 1 | Cover | GG 25 |
| 2 | Gasket * | Clingrit |
| 3 | Ball Float * | AISI 304 |
| 4 | Lever * | AISI 304 |
| 5 | Bolt | AISI 304 |
| 6 | U Support * | AISI 304 |
| 7 | Pivot Pin * | AISI 304 |
| 8 | Seat * | AISI 304 |
| 9 | Adjusting Nut * | AISI 304 |
| 10 | Spacer | GG 25 |
| 11 | Body | GG 25 |
| 12 | Bolt | AISI 304 |
| 13 | Bolt | C.S. |
| 14 | Nut | C.S. |
| 15 | Air Vent Bolt * | Brass |
| 16 | Name Plate | Aluminum |
| 17 | Pin | Aluminum |
| 18 | Valve Plug * | AISI 316 |
| 19 | Luck Washer * | AISI 304 |



Note: (*) Spare Part

Capacities

Maximum continual discharge amount (Kg/h)



Note: Capacities shown are based on discharge at saturation temperature. In 552FT when discharging sub-cooled condensate, the air vent provides extra capacity. Under start up conditions the thermostatic air vent will be open, and will provide additional condensate capacity to outlet.

Installation

The trap must be fitted with the float arm in a horizontal plane that rises and falls vertically. Therefore the arrow on nameplate must point downwards.

How to Order

Example: FT552 - 1/2", Ball Float Thermostatic Steam Trap.

Design and specification are subject to change without notice